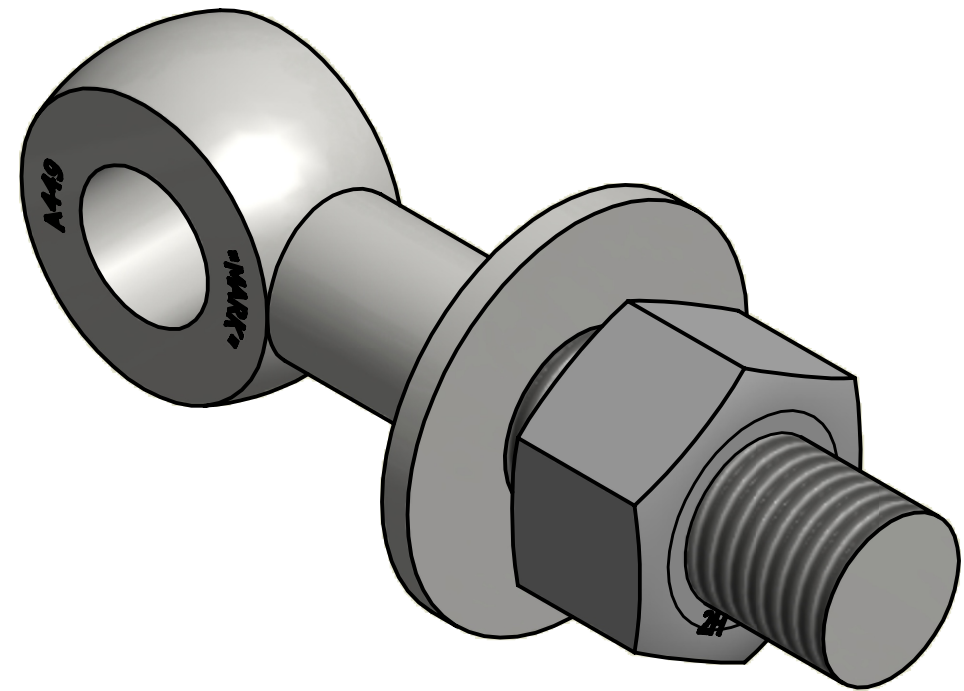
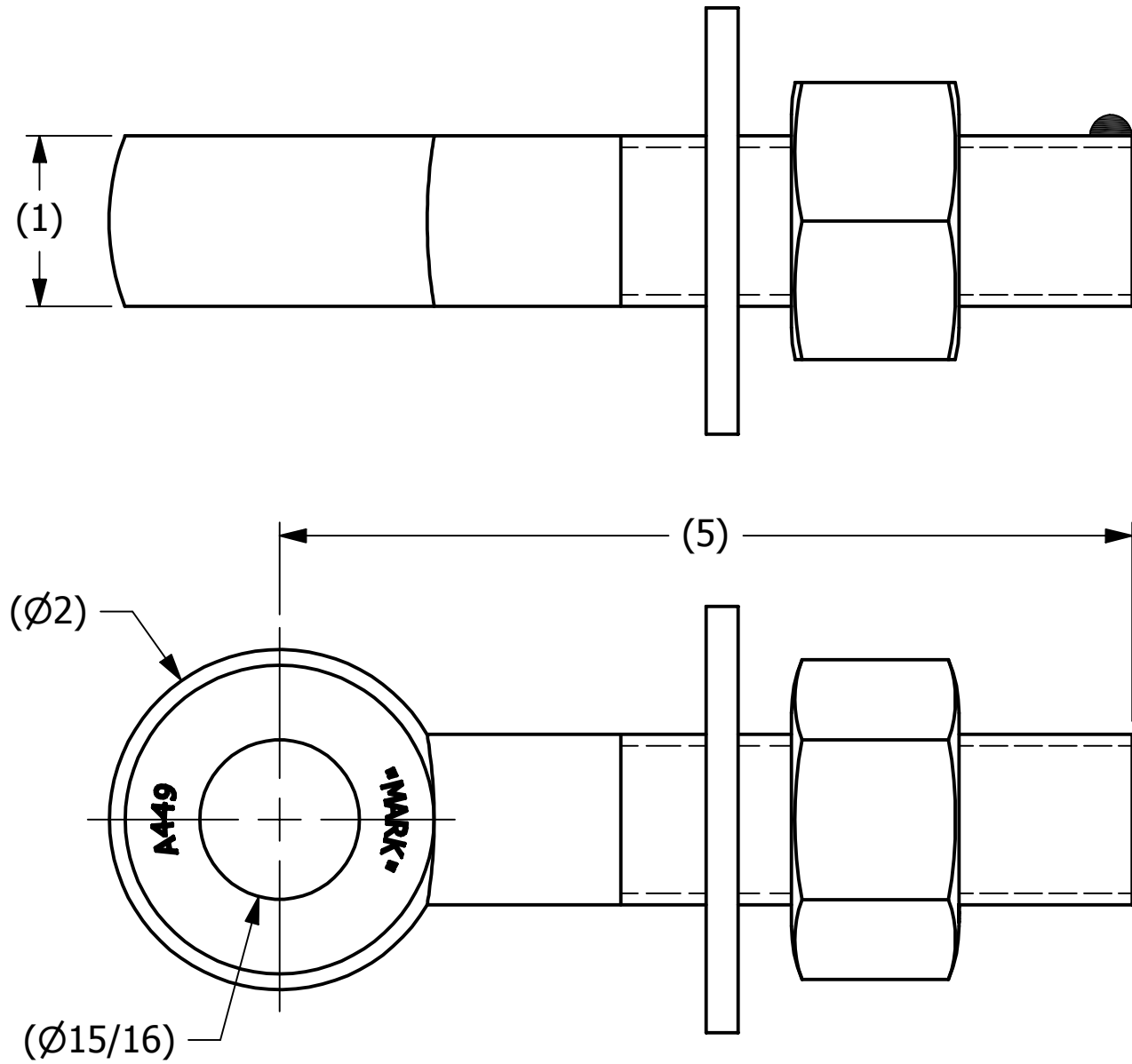


SALES DRAWING

SALES DRAWING



ISOMETRIC VIEW

REV	BY	DATE	DESCRIPTION
C	RJP	10-30-15	UPDATED MARKING
B	REH	12-3-10	REPLACED WASH1G5 W/ WASH1P
A	CHL	6-27-06	ADDED PART TO SYSTEM

<small>UNLESS OTHERWISE SPECIFIED DIMENSIONAL TOLERANCES</small> FRACTIONAL: ±1/16 X.XX: ±.03 X.XXX: ±.015 ANGULAR: ±1° <small>DEBURR ALL SHARP EDGES. ALL MACHINED SURFACES TO HAVE A 125 RMS FINISH UNLESS NOTED OTHERWISE.</small>	DRAWN BY:	ACC
	CHECKED BY:	ACC
	PROTOTYPE BY:	ACC
	PROTOTYPE DATE:	9/11/2003
<small>THIRD ANGLE PROJECTION</small> 	APPROVED FOR PRODUCTION BY:	ACC
	PRODUCTION DATE:	9/11/2003

PART NAME: EYEBOLT ASSEMBLY 1" X 5"		
MATERIAL: ASTM A449 TYPE 1, CARBON STEEL		
PROJECT #: WAG0071	SHEET #: 1 OF 1	SCALE: 1:1
DRAWING #: B18405	PART #: EB15XAG5	

THIS PRINT, PROPERTY OF SALCO PRODUCTS INC., CONTAINS PROPRIETARY INFORMATION AND MUST NOT BE COPIED, REPRODUCED, OR USED DETRIMENTALLY TO OUR INTEREST.